

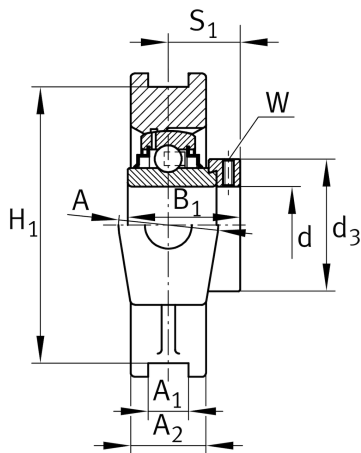
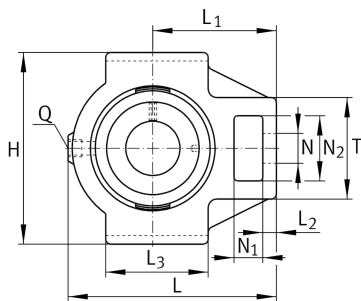
**RTUE65-214-XL**

Take-up housing unit

Take-up housing units RTUE, cast iron housing, radial insert ball bearing with eccentric locking collar, R seals

X-life

Technical information



Your current product variant

Deviating ballset	214	Deviating ballset 214
Material	GG	Grey cast iron

Main Dimensions & Performance Data

d	65 mm	Bore diameter
H	166 mm	Height
L	214 mm	Length total
B ₁	66 mm	Locking collar total width
m	7,11 kg	Weight

Mounting dimensions

A ₁	25 mm	Width guidance groove
	H13	Width guidance groove clearance
H ₁	151 mm	Distance guidance grooves
	0,25 mm	Upper distance guidance groove tolerance
	-0,25 mm	Lower distance guidance groove tolerance
N	41 mm	Fixing bore



Dimensions

L ₁	135 mm	Distance shaft axis
L ₂	20 mm	Length fixed link
L ₃	120 mm	Length guidance groove
A	70 mm	Width housing fixing side
N ₁	35 mm	Width recess
N ₂	70 mm	Height recess
S ₁	44,5 mm	Distance of raceway to locking collar
T	110 mm	Height housing fixing side
Q	M6	Connection thread for lubrication
A ₂	50 mm	Width housing

Additional information

TUE13/14	Housing
GE65-214-XL-KRR-B	Bearing designation

Temperature range

T _{min}	-20 °C	Operating temperature min.
T _{max}	120 °C	Operating temperature max.