

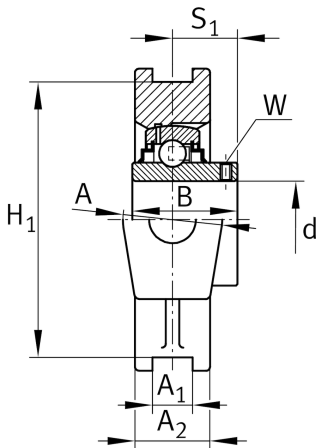
**RTUEY60-XL**

Take-up housing unit

Take-up housing units RTUEY, cast iron housing, radial insert ball bearing with grub screws in inner ring, R seals

X-life

Technical information



Your current product variant

Material	GG	Grey cast iron
----------	----	----------------

Main Dimensions & Performance Data

d	60 mm	Bore diameter
H	146 mm	Height
L	186 mm	Length total
≈m	4,34 kg	Weight

Mounting dimensions

A ₁	22 mm	Width guidance groove
	H13	Width guidance groove clearance
H ₁	130 mm	Distance guidance grooves
	0,15 mm	Upper distance guidance groove tolerance
	-0,15 mm	Lower distance guidance groove tolerance
N	35 mm	Fixing bore



Dimensions

L ₁	118 mm	Distance shaft axis
L ₂	19 mm	Length fixed link
L ₃	100 mm	Length guidance groove
A	60 mm	Width housing fixing side
N ₁	32 mm	Width recess
N ₂	63,5 mm	Height recess
B	65,1 mm	Width inner ring
S ₁	39,7 mm	Distance of raceway to locking collar
T	102 mm	Height housing fixing side
Q	M6	Connection thread for lubrication
A ₂	44 mm	Width housing

Additional information

TUE12	Housing
GYE60-XL-KRR-B	Bearing designation

Temperature range

T _{min}	-20 °C	Operating temperature min.
T _{max}	120 °C	Operating temperature max.