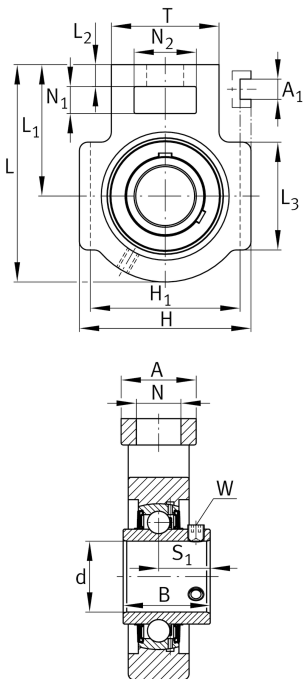


**FAG****UCT216**

Take-up housing unit

Housing units UCT, cast iron housing, radial insert ball bearing with grub screws in inner ring, RSR seals, for linear motion

Technical information

**Your current product variant**

Material	GG	Grey cast iron
----------	----	----------------

Main Dimensions & Performance Data

d	80 mm	Bore diameter
H	184 mm	Height
L	235 mm	Length total
C _{0r}	54.000 N	Basic static load rating, radial
C _{ur}	2.700 N	Fatigue load limit, radial
C _r	76.000 N	Basic dynamic load rating, radial
≈m	8,09 kg	Weight

Mounting dimensions

A ₁	26 mm	Width guidance groove
	0,3 mm	Upper width guidance groove tolerance
	0 mm	Lower width guidance groove tolerance
H ₁	165 mm	Distance guidance grooves
	0 mm	Upper distance guidance groove tolerance
	-0,8 mm	Lower distance guidance groove tolerance
N	41 mm	Fixing bore



Dimensions

L ₁	140 mm	Distance shaft axis
L ₂	21 mm	Length fixed link
L ₃	121 mm	Length guidance groove
A	70 mm	Width housing fixing side
N ₁	32 mm	Width recess
N ₂	70 mm	Height recess
B	82,6 mm	Width inner ring
S ₁	49,3 mm	Distance of raceway to locking collar
T	111 mm	Height housing fixing side
Q	M6	Connection thread for lubrication
A ₂	51 mm	Width housing

Additional information

T216	Housing
UC216	Bearing designation

Temperature range

T _{min}	-20 °C	Operating temperature min.
T _{max}	120 °C	Operating temperature max.