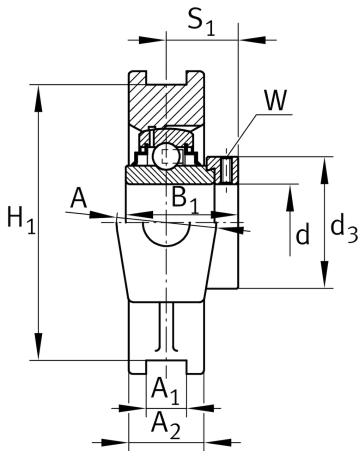
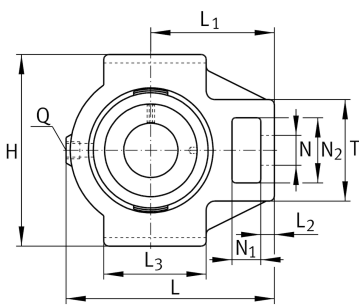


**RTUE60-FA164**

## Take-up housing unit

Take-up housing unit RTUE...-FA164, RIBB  
cast iron TUE

## Technical information



## Your current product variant

Material	GG	Grey cast iron
----------	----	----------------

## Main Dimensions &amp; Performance Data

d	60 mm	Bore diameter
H	146 mm	Height
L	186 mm	Length total
B <sub>1</sub>	77,9 mm	Locking collar total width
m	4,76 kg	Weight

## Mounting dimensions

A <sub>1</sub>	22 mm	Width guidance groove
	H13	Width guidance groove clearance
H <sub>1</sub>	130 mm	Distance guidance grooves
	0,15 mm	Upper distance guidance groove tolerance
	-0,15 mm	Lower distance guidance groove tolerance
N	35 mm	Fixing bore



### Dimensions

L <sub>1</sub>	118 mm	Distance shaft axis
L <sub>2</sub>	19 mm	Length fixed link
L <sub>3</sub>	100 mm	Length guidance groove
A	60 mm	Width housing fixing side
N <sub>1</sub>	32 mm	Width recess
N <sub>2</sub>	63,5 mm	Height recess
S <sub>1</sub>	46,9 mm	Distance of raceway to locking collar
T	102 mm	Height housing fixing side
Q	M6	Connection thread for lubrication
A <sub>2</sub>	44 mm	Width housing

### Additional information

TUE12-FA125	Housing
GE60-KRR-B-FA164	Bearing designation

### Temperature range

T <sub>min</sub>	150 °C	Operating temperature min.
T <sub>max</sub>	250 °C	Operating temperature max.