

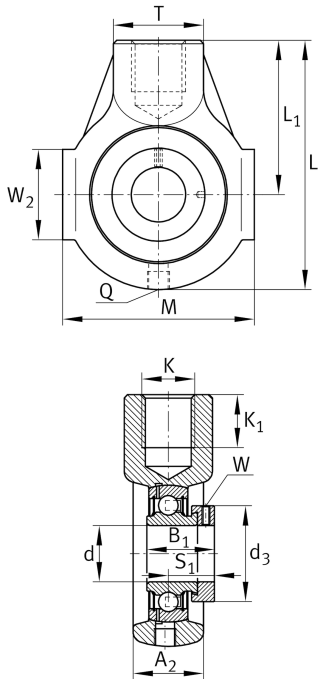
**PHE25-XL**

Take-up housing unit

Take-up housing units PHE, cast iron housing, radial insert ball bearing with eccentric locking collar, P seals

X-life

Technical information



Your current product variant

| | | |
|----------|----|----------------|
| Material | GG | Grey cast iron |
|----------|----|----------------|

Main Dimensions & Performance Data

| | | |
|----------------|--------|---------------------|
| d | 25 mm | Bore diameter |
| L | 99 mm | Length total |
| M | 70 mm | Housing total width |
| A ₂ | 28 mm | Width housing |
| ≈m | 0,7 kg | Weight |

Mounting dimensions

| | | |
|----------------|-------|--------------------|
| K | M20 | Thread fixing bore |
| K ₁ | 22 mm | Thread depth |

Dimensions

| | | |
|----------------|-------|-----------------------------------|
| L ₁ | 64 mm | Distance shaft axis |
| T | 35 mm | Height housing fixing side |
| W ₂ | 38 mm | Length of guidance face |
| Q | M6 | Connection thread for lubrication |



Additional information

| | |
|-----------------|---------------------|
| HE05 | Housing |
| GRAE25-XL-NPP-B | Bearing designation |

Temperature range

| | | |
|------------------|--------|----------------------------|
| T _{min} | -20 °C | Operating temperature min. |
| T _{max} | 120 °C | Operating temperature max. |