

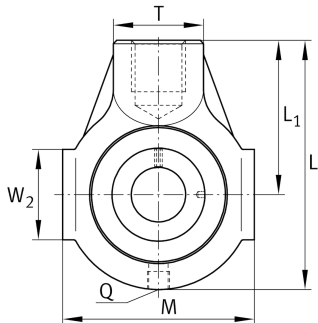
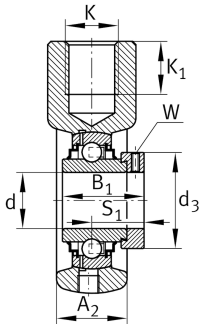
**RHE20-XL**

## Take-up housing unit

Take-up housing units RHE, cast iron housing, radial insert ball bearing with eccentric locking collar, R seals

X-life

## Technical information



## Your current product variant

Material	GG	Grey cast iron
----------	----	----------------

## Main Dimensions &amp; Performance Data

d	20 mm	Bore diameter
L	91 mm	Length total
M	65 mm	Housing total width
A <sub>2</sub>	25 mm	Width housing
≈m	0,6 kg	Weight

## Mounting dimensions

K	M16	Thread fixing bore
K <sub>1</sub>	21 mm	Thread depth

## Dimensions

L <sub>1</sub>	58 mm	Distance shaft axis
T	30 mm	Height housing fixing side
W <sub>2</sub>	38 mm	Length of guidance face
Q	M6	Connection thread for lubrication



### Additional information

HE04	Housing
GE20-XL-KRR-B	Bearing designation

### Temperature range

T <sub>min</sub>	-20 °C	Operating temperature min.
T <sub>max</sub>	120 °C	Operating temperature max.