

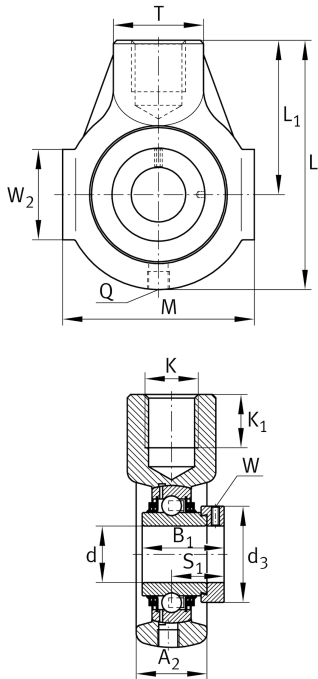
**THE25-XL**

## Take-up housing unit

Take-up housing units THE, cast iron housing, radial insert ball bearing with eccentric locking collar, T seals

X-life

## Technical information



## Your current product variant

Material	GG	Grey cast iron
----------	----	----------------

## Main Dimensions &amp; Performance Data

d	25 mm	Bore diameter
L	99 mm	Length total
M	70 mm	Housing total width
A <sub>2</sub>	28 mm	Width housing
≈m	0,76 kg	Weight

## Mounting dimensions

K	M20	Thread fixing bore
K <sub>1</sub>	22 mm	Thread depth

## Dimensions

L <sub>1</sub>	64 mm	Distance shaft axis
T	35 mm	Height housing fixing side
W <sub>2</sub>	38 mm	Length of guidance face
Q	M6	Connection thread for lubrication



### Additional information

HE05	Housing
GE25-XL-KTT-B	Bearing designation

### Temperature range

T <sub>min</sub>	-20 °C	Operating temperature min.
T <sub>max</sub>	120 °C	Operating temperature max.