

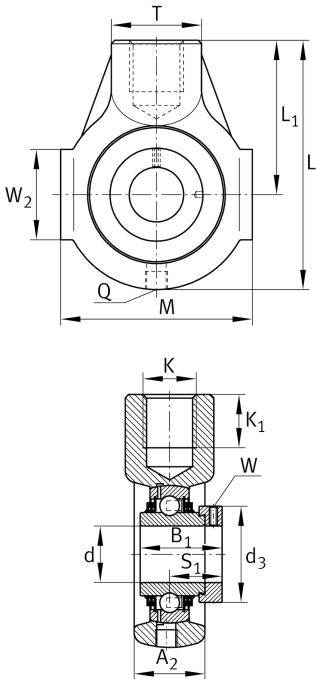
**THE45-XL**

## Take-up housing unit

Take-up housing units THE, cast iron housing, radial insert ball bearing with eccentric locking collar, T seals

X-life

## Technical information



## Your current product variant

|          |    |                |
|----------|----|----------------|
| Material | GG | Grey cast iron |
|----------|----|----------------|

## Main Dimensions &amp; Performance Data

|                |         |                     |
|----------------|---------|---------------------|
| d              | 45 mm   | Bore diameter       |
| L              | 145 mm  | Length total        |
| M              | 110 mm  | Housing total width |
| A <sub>2</sub> | 40 mm   | Width housing       |
| ≈m             | 2,13 kg | Weight              |

## Mounting dimensions

|                |       |                    |
|----------------|-------|--------------------|
| K              | M24   | Thread fixing bore |
| K <sub>1</sub> | 24 mm | Thread depth       |

## Dimensions

|                |       |                                   |
|----------------|-------|-----------------------------------|
| L <sub>1</sub> | 90 mm | Distance shaft axis               |
| T              | 40 mm | Height housing fixing side        |
| W <sub>2</sub> | 45 mm | Length of guidance face           |
| Q              | M6    | Connection thread for lubrication |



### Additional information

|               |                     |
|---------------|---------------------|
| HE09          | Housing             |
| GE45-XL-KTT-B | Bearing designation |

### Temperature range

|                  |        |                            |
|------------------|--------|----------------------------|
| T <sub>min</sub> | -20 °C | Operating temperature min. |
| T <sub>max</sub> | 120 °C | Operating temperature max. |