

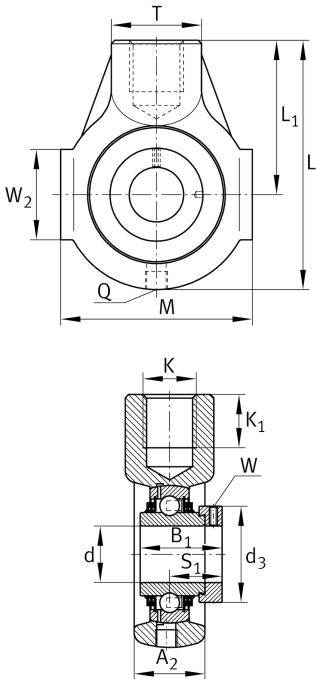
**THE50-XL**

Take-up housing unit

Take-up housing units THE, cast iron housing, radial insert ball bearing with eccentric locking collar, T seals

X-life

Technical information



Your current product variant

Material	GG	Grey cast iron
----------	----	----------------

Main Dimensions & Performance Data

d	50 mm	Bore diameter
L	145 mm	Length total
M	110 mm	Housing total width
A ₂	40 mm	Width housing
≈m	2,059 kg	Weight

Mounting dimensions

K	M24	Thread fixing bore
K ₁	24 mm	Thread depth

Dimensions

L ₁	90 mm	Distance shaft axis
T	40 mm	Height housing fixing side
W ₂	46 mm	Length of guidance face
Q	M6	Connection thread for lubrication



Additional information

HE10	Housing
GE50-XL-KTT-B	Bearing designation

Temperature range

T _{min}	-20 °C	Operating temperature min.
T _{max}	120 °C	Operating temperature max.