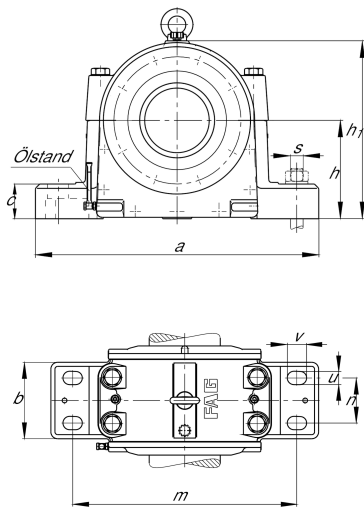


**FAG****LOE219-N-BF-L**

Plummer block housing

Plummer block housing, split, for spherical roller bearings, oil-lubrication

## Technical information

**Main Dimensions & Performance Data**

d	95 mm	Shaft diameter
a	490 mm	Length base
h <sub>1</sub>	270 mm	Height
g <sub>1</sub>	250 mm	Total width
≈m	65 kg	Weight

**Dimensions**

b	160 mm	Width base
c	50 mm	Height base
D	170 mm	Outside diameter bearing
d <sub>2</sub>	100 mm	Shaft diameter shoulder
d <sub>5</sub>	M95X2	Thread shaft nut
g	170 mm	Width housing body
h	150 mm	Center height
m	400 mm	Distance fixing bore
n	80 mm	Bore distance width
s	M24	Size of fixing screws
u	30 mm	Width slot
v	45 mm	Length slot
w	67 mm	Location collar width



### Additional information

1,6 l	Oil quantity first filling
70 mm	Maximum height oil level
55 mm	Minimum height oil level

### Temperature range

T <sub>min</sub>	-20 °C	Operating temperature min.
T <sub>max</sub>	100 °C	Operating temperature max.