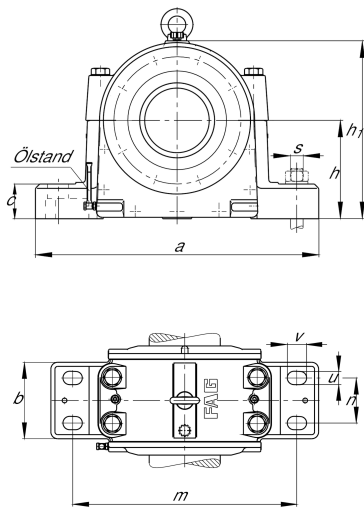


**FAG****LOE228-N-BL-L**

Plummer block housing

Plummer block housing, split, for spherical roller bearings, oil-lubrication

## Technical information

**Main Dimensions & Performance Data**

d	140 mm	Shaft diameter
a	570 mm	Length base
h <sub>1</sub>	355 mm	Height
g <sub>1</sub>	260 mm	Total width
≈m	100 kg	Weight

**Dimensions**

b	175 mm	Width base
c	65 mm	Height base
D	250 mm	Outside diameter bearing
d <sub>2</sub>	150 mm	Shaft diameter shoulder
d <sub>5</sub>	M140X2	Thread shaft nut
g	180 mm	Width housing body
h	190 mm	Center height
m	460 mm	Distance fixing bore
n	100 mm	Bore distance width
s	M30	Size of fixing screws
u	36 mm	Width slot
v	50 mm	Length slot
w	73 mm	Location collar width



### Additional information

---

3,7 l	Oil quantity first filling
70 mm	Maximum height oil level
55 mm	Minimum height oil level

### Temperature range

---

T <sub>min</sub>	-20 °C	Operating temperature min.
T <sub>max</sub>	100 °C	Operating temperature max.