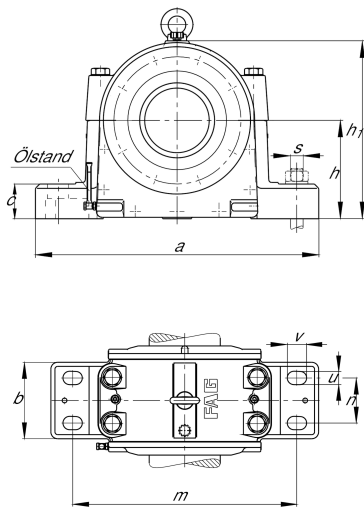


**FAG****LOE234-N-BL-L**

Plummer block housing

Plummer block housing, split, for spherical roller bearings, oil-lubrication

Technical information

**Main Dimensions & Performance Data**

d	170 mm	Shaft diameter
a	710 mm	Length base
h ₁	460 mm	Height
g ₁	300 mm	Total width
≈m	170 kg	Weight

Dimensions

b	200 mm	Width base
c	85 mm	Height base
D	310 mm	Outside diameter bearing
d ₂	176 mm	Shaft diameter shoulder
d ₅	M170X3	Thread shaft nut
g	210 mm	Width housing body
h	260 mm	Center height
m	580 mm	Distance fixing bore
n	110 mm	Bore distance width
s	M36	Size of fixing screws
u	42 mm	Width slot
v	60 mm	Length slot
w	90 mm	Location collar width



Additional information

6 l	Oil quantity first filling
105 mm	Maximum height oil level
90 mm	Minimum height oil level

Temperature range

T _{min}	-20 °C	Operating temperature min.
T _{max}	100 °C	Operating temperature max.