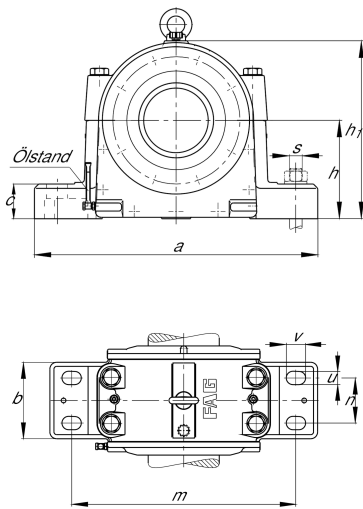


**FAG****LOE530-N-BF-L**

Plummer block housing

Plummer block housing, split, for spherical roller bearings, oil-lubrication

Technical information

**Main Dimensions & Performance Data**

d	135 mm	Shaft diameter
a	660 mm	Length base
h ₁	395 mm	Height
g ₁	275 mm	Total width
≈m	140 kg	Weight

Dimensions

b	190 mm	Width base
c	70 mm	Height base
D	270 mm	Outside diameter bearing
g	200 mm	Width housing body
h	220 mm	Center height
m	530 mm	Distance fixing bore
n	100 mm	Bore distance width
s	M36	Size of fixing screws
u	42 mm	Width slot
v	60 mm	Length slot

Additional information

4,2 l	Oil quantity first filling
90 mm	Maximum height oil level
65 mm	Minimum height oil level



View product details on medias

20.06.2026, 20:37:34 UTC

SCHAEFFLER

Temperature range

T _{min}	-20 °C	Operating temperature min.
------------------	--------	----------------------------

T _{max}	100 °C	Operating temperature max.
------------------	--------	----------------------------