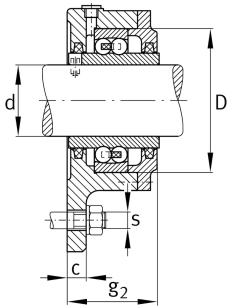
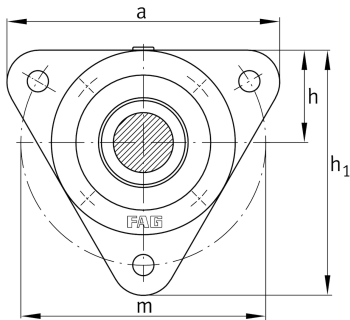


**FAG****F11205**

Flanged housing

Flanged housing for self-aligning ball bearing
112 with wide inner-ring, felt seal, grease
lubrication

Technical information

**Main Dimensions & Performance Data**

d	25 mm	Shaft diameter
a	110 mm	Flange width
g ₂	46 mm	Total width with cover
h ₁	100 mm	Height flange

≈m 0,841 kg Weight

Dimensions

	M10x1	Connection thread for lubrication
c	10 mm	Thickness of flange
D	52 mm	Outside diameter bearing
h	38 mm	Distance shaft axis
m	96 mm	Pitch circle diameter fixing holes
s	M10	Size of fixing screws

Temperature range

T _{min}	-20 °C	Operating temperature min.
T _{max}	100 °C	Operating temperature max.