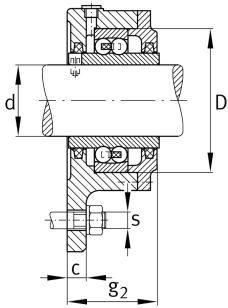
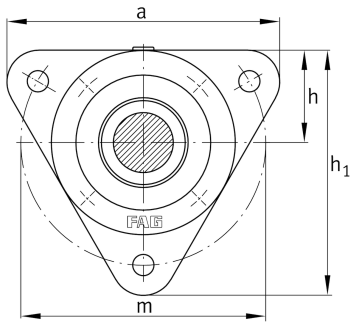


**FAG****F11210**

Flanged housing

Flanged housing for self-aligning ball bearing
112 with wide inner-ring, felt seal, grease
lubrication

Technical information

**Main Dimensions & Performance Data**

| | | |
|----------------|---------|------------------------|
| d | 50 mm | Shaft diameter |
| a | 180 mm | Flange width |
| g ₂ | 62,5 mm | Total width with cover |
| h ₁ | 160 mm | Height flange |
| ≈m | 3 kg | Weight |

Dimensions

| | | |
|---|--------|------------------------------------|
| | M10x1 | Connection thread for lubrication |
| c | 15 mm | Thickness of flange |
| D | 90 mm | Outside diameter bearing |
| h | 60 mm | Distance shaft axis |
| m | 160 mm | Pitch circle diameter fixing holes |
| s | M12 | Size of fixing screws |

Temperature range

| | | |
|------------------|--------|----------------------------|
| T _{min} | -20 °C | Operating temperature min. |
| T _{max} | 100 °C | Operating temperature max. |