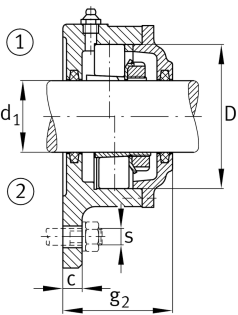
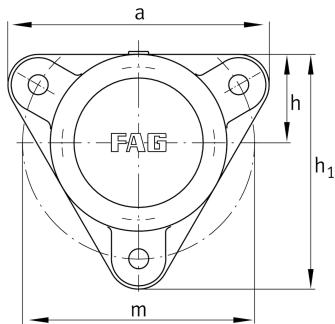


**FAG****F507-B-L**

## Flanged housing

Flanged housing for various bearing types,  
with conical bore and clamping sleeve,  
continuous shaft

## Technical information

**Main Dimensions & Performance Data**

d <sub>1</sub>	30 mm	Shaft diameter
a	145 mm	Flange width
h <sub>1</sub>	130 mm	Height flange
g <sub>2</sub>	60 mm	Total width with lid g <sub>2</sub>
	3	Number of fastening holes
≈m	2 kg	Weight

**Dimensions**

	M10x1	Connection thread for lubrication
c	12 mm	Thickness of flange
D	72 mm	Outside diameter bearing
g <sub>4</sub>	17 mm	Distance flange to bearing seat
h	48,5 mm	Distance shaft axis
m	130 mm	Pich circle diameter fixing holes
s	M12	Size of fixing screws