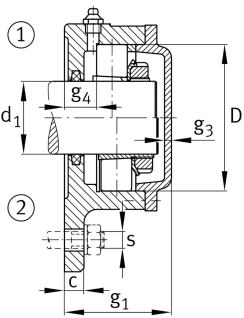
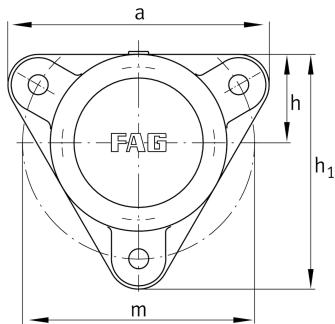


**FAG****F511-A-L**

## Flanged housing

Flanged housing for various bearing types,  
with conical bore and clamping sleeve, closed  
on one side

## Technical information

**Main Dimensions & Performance Data**

$d_1$	50 mm	Shaft diameter
$a$	190 mm	Flange width
$h_1$	170 mm	Height flange
	3	Number of fastening holes

$\approx m$	4,2 kg	Weight
-------------	--------	--------

**Dimensions**

	M10x1	Connection thread for lubrication
$c$	16 mm	Thickness of flange
$D$	100 mm	Outside diameter bearing
$g_4$	23 mm	Distance flange to bearing seat
$h$	65 mm	Distance shaft axis
$m$	170 mm	Pich circle diameter fixing holes
$s$	M12	Size of fixing screws