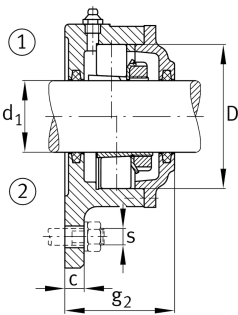
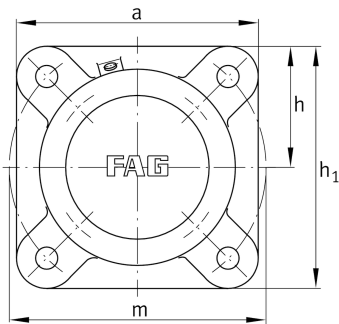


**FAG****F515-B-L**

Flanged housing

Flanged housing for various bearing types,
with conical bore and clamping sleeve,
continuous shaft

Technical information

**Main Dimensions & Performance Data**

| | | |
|----------------|--------|-------------------------------------|
| d ₁ | 65 mm | Shaft diameter |
| a | 190 mm | Flange width |
| h ₁ | 190 mm | Height flange |
| g ₂ | 104 mm | Total width with lid g ₂ |
| | 4 | Number of fastening holes |
| ≈m | 9,5 kg | Weight |

Dimensions

| | | |
|----------------|--------|-----------------------------------|
| | M10x1 | Connection thread for lubrication |
| c | 25 mm | Thickness of flange |
| D | 130 mm | Outside diameter bearing |
| g ₄ | 30 mm | Distance flange to bearing seat |
| h | 95 mm | Distance shaft axis |
| m | 215 mm | Pich circle diameter fixing holes |
| s | M16 | Size of fixing screws |