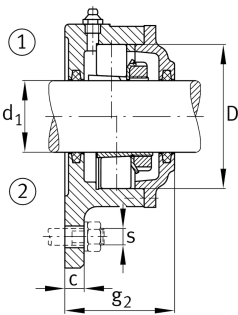
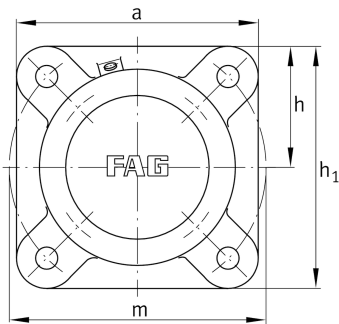


**FAG****F520-B-L**

Flanged housing

Flanged housing for various bearing types,
with conical bore and clamping sleeve,
continuous shaft

Technical information

**Main Dimensions & Performance Data**

d ₁	90 mm	Shaft diameter
a	250 mm	Flange width
h ₁	250 mm	Height flange
g ₂	127 mm	Total width with lid g ₂
	4	Number of fastening holes
≈m	17,9 kg	Weight

Dimensions

	M10x1	Connection thread for lubrication
c	30 mm	Thickness of flange
D	180 mm	Outside diameter bearing
g ₄	29 mm	Distance flange to bearing seat
h	125 mm	Distance shaft axis
m	280 mm	Pich circle diameter fixing holes
s	M20	Size of fixing screws