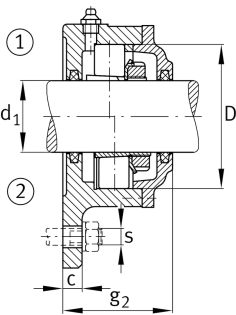
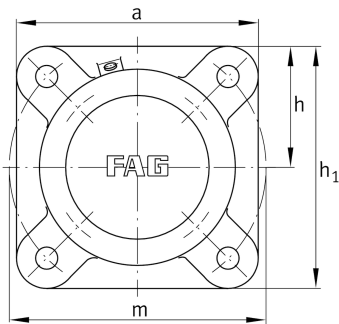


**FAG****F517-B-L**

Flanged housing

Flanged housing for various bearing types,
with conical bore and clamping sleeve,
continuous shaft

Technical information

**Main Dimensions & Performance Data**

d ₁	75 mm	Shaft diameter
a	210 mm	Flange width
h ₁	210 mm	Height flange
g ₂	114 mm	Total width with lid g ₂
	4	Number of fastening holes
≈m	12 kg	Weight

Dimensions

	M10x1	Connection thread for lubrication
c	25 mm	Thickness of flange
D	150 mm	Outside diameter bearing
g ₄	31 mm	Distance flange to bearing seat
h	105 mm	Distance shaft axis
m	240 mm	Pich circle diameter fixing holes
s	M16	Size of fixing screws