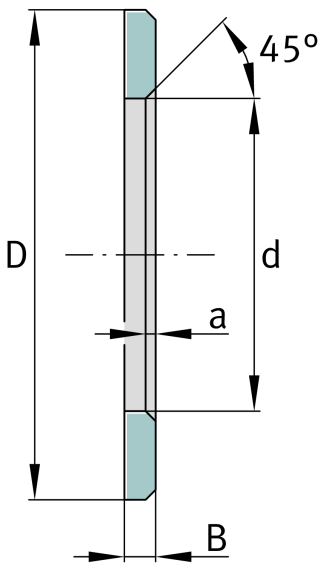


### LS120155

Bearing washer

Bearing washers, suitable for AXK and K811

## Technical information



### Main Dimensions & Performance Data

d	120 mm	Bore diameter track washer
D	155 mm	Outside diameter track washer
B	7 mm	Width
	45 °	Chamfer Angle
a min	1,5 mm	Chamfer width
≈m	393 g	Weight





View product details on medias

20.05.2026, 12:17:17 UTC

SCHAEFFLER

