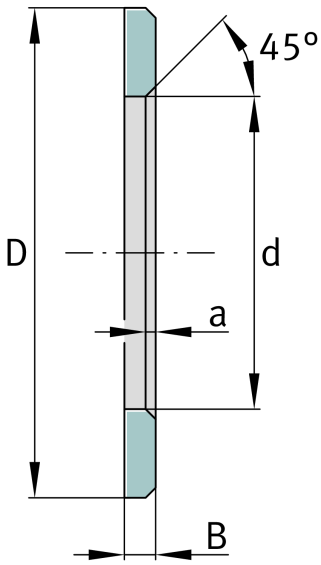


LS130170

Bearing washer

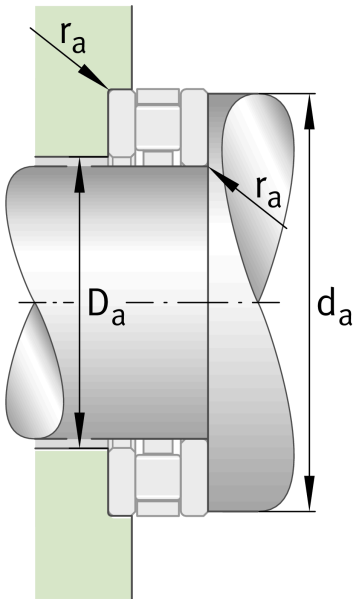
Bearing washers, suitable for AXK and K811

Technical information



Main Dimensions & Performance Data

d	130 mm	Bore diameter track washer
D	170 mm	Outside diameter track washer
B	9 mm	Width
	45 °	Chamfer Angle
a min	1,5 mm	Chamfer width
≈m	631,32 g	Weight





View product details on medias

15.05.2026, 17:33:03 UTC

SCHAEFFLER

