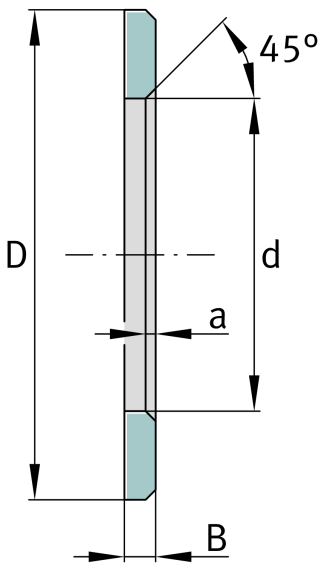


LS3552

Bearing washer

Bearing washers, suitable for AXK and K811

Technical information



Main Dimensions & Performance Data

d	35 mm	Bore diameter track washer
D	52 mm	Outside diameter track washer
B	3,5 mm	Width
	45 °	Chamfer Angle
a min	1 mm	Chamfer width
≈m	28,8 g	Weight





View product details on medias

04.07.2026, 14:41:49 UTC

SCHAEFFLER

