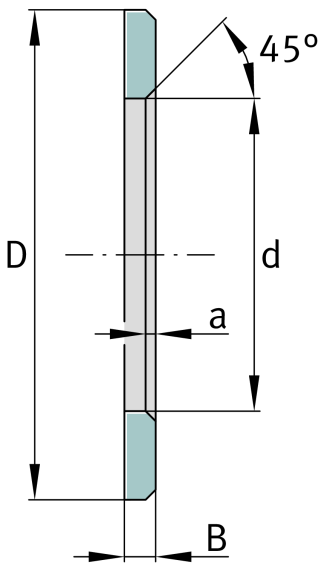


### LS6590

Bearing washer

Bearing washers, suitable for AXK and K811

## Technical information



### Main Dimensions & Performance Data

d	65 mm	Bore diameter track washer
D	90 mm	Outside diameter track washer
B	5,25 mm	Width
	45 °	Chamfer Angle
a min	1,5 mm	Chamfer width
≈m	115 g	Weight





View product details on medias

04.07.2026, 16:04:30 UTC

SCHAEFFLER

