

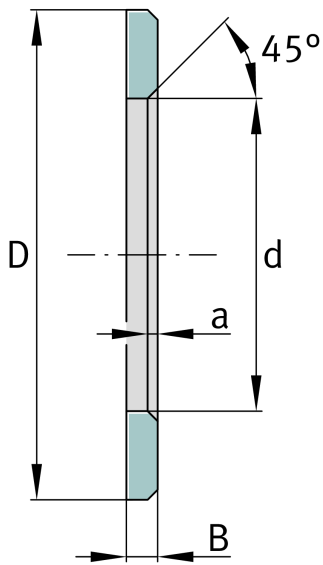


### LS85110

Bearing washer

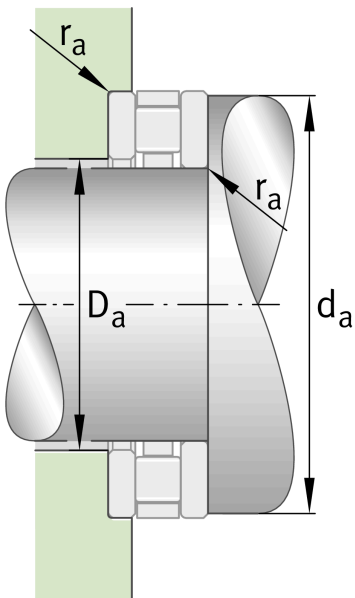
Bearing washers, suitable for AXK and K811

## Technical information



### Main Dimensions & Performance Data

d	85 mm	Bore diameter track washer
D	110 mm	Outside diameter track washer
B	5,75 mm	Width
	45 °	Chamfer Angle
a min	1,5 mm	Chamfer width
≈m	158,8 g	Weight





View product details on medias

04.07.2026, 14:47:21 UTC

SCHAEFFLER

