



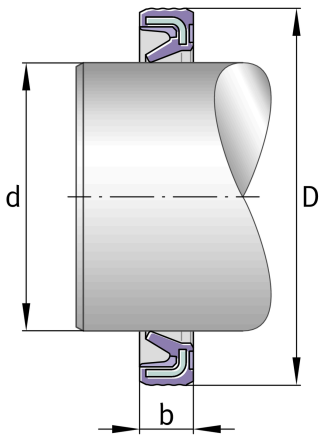
G15X23X3 [↗](#)

Radial rotary shaft seal

Single lip sealing ring G



Technical information



Your current product variant

Sealing	NBR
---------	-----

Main Dimensions & Performance Data

D	23 mm	Outside diameter
---	-------	------------------

≈m	1,343 g	Weight
----	---------	--------

Main dimensions

B	3 mm	Width
---	------	-------