



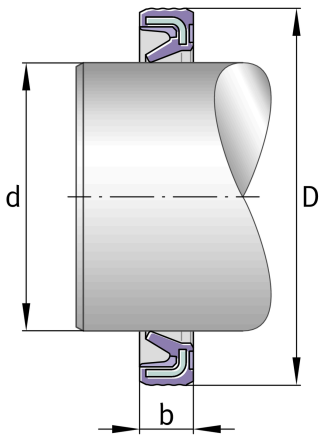
G18X26X4 [↗](#)

Radial rotary shaft seal

Single lip sealing ring G



Technical information



Your current product variant

Type of Seal	NBR
--------------	-----

Main Dimensions & Performance Data

D	26 mm	Outside diameter
---	-------	------------------

≈m	1,8 g	Weight
----	-------	--------

Main dimensions

B	4 mm	Width
---	------	-------