

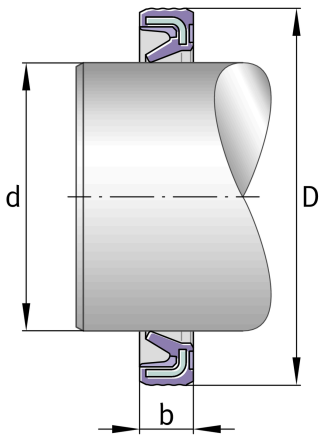


### G35X42X4 [↗](#)

Radial rotary shaft seal

Single lip sealing ring G

## Technical information



### Your current product variant

Type of Seal	NBR
--------------	-----

### Main Dimensions & Performance Data

D	42 mm	Outside diameter
---	-------	------------------

≈m	3,329 g	Weight
----	---------	--------

### Main dimensions

B	4 mm	Width
---	------	-------