



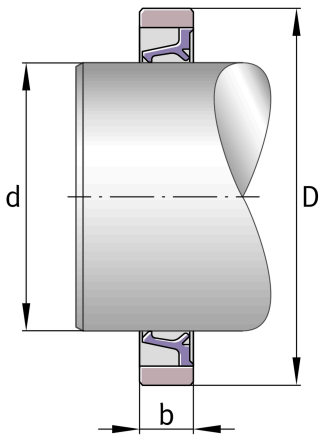
SD10X17X3

Radial rotary shaft seal

Double lip sealing ring SD



Technical information



Main Dimensions & Performance Data

d	10 mm	Bore diameter
D	17 mm	Outside diameter
B	3 mm	Width
≈m	0,43 g	Weight

Main dimensions

B	3 mm	Width
---	------	-------