



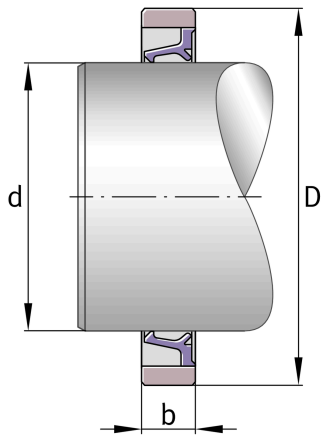
### SD14X22X3

Radial rotary shaft seal

Double lip sealing ring SD



## Technical information



### Main Dimensions & Performance Data

D	22 mm	Outside diameter
≈m	0,62 g	Weight

### Main dimensions

B	3 mm	Width
---	------	-------