

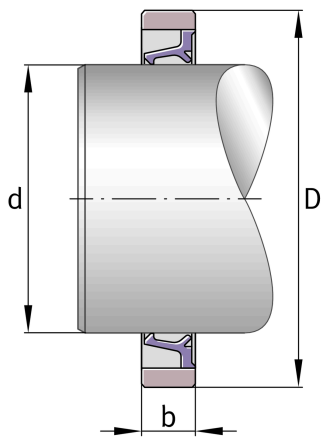


## SD40X52X5

Radial rotary shaft seal

Double lip sealing ring SD

### Technical information



#### Main Dimensions & Performance Data

D	52 mm	Outside diameter
≈m	4,34 g	Weight

#### Main dimensions

B	5 mm	Width
---	------	-------