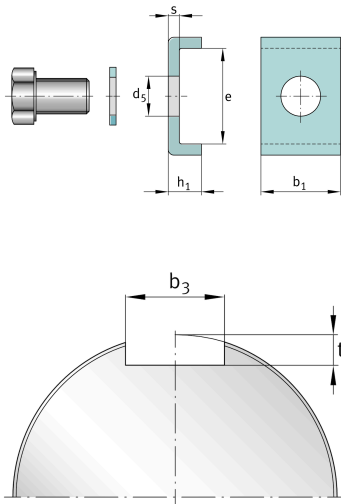
**FAG****MS30/530**

Securing plate

Securing plate MS, locknut, DIN5406

Technical information

**Main Dimensions & Performance Data**

b ₁	40 mm	Length retaining ring
e	34 mm	Width inner retaining ring
h ₁	21 mm	Hight retaining ring
≈m	240 g	Weight

Mounting dimensions

b ₃	42 mm	Width retaining slot
t	14 mm	Hight retaining slot

Dimensions

s	7 mm	Thickness
d ₅	18 mm	Diameter fixing hole spacing

Additional information

M16x25	Hexagonal bolt
215 Nm	Mounting torque screw