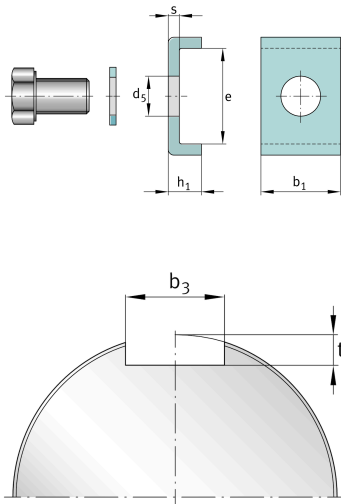
**FAG****MS3044**

Securing plate

Securing plate MS, locknut, DIN5406

## Technical information

**Main Dimensions & Performance Data**

$b_1$	20 mm	Length retaining ring
$e$	13,5 mm	Width inner retaining ring
$h_1$	12 mm	Hight retaining ring
$\approx m$	26 g	Weight

**Mounting dimensions**

$b_3$	22 mm	Width retaining slot
$t$	9 mm	Hight retaining slot

**Dimensions**

$s$	4 mm	Thickness
$d_5$	7 mm	Diameter fixing hole spacing

**Additional information**

M6x10	Hexagonal bolt
10 Nm	Mounting torque screw