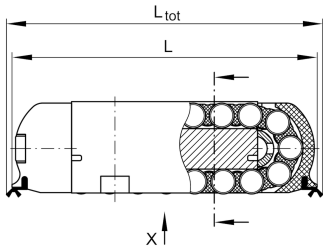
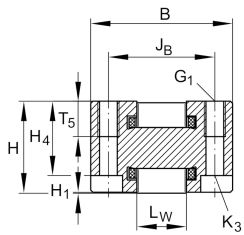


RUS26102-KS

Linear recirculating roller bearing unit

Linear roller bearings with spacer elements, with end face lubrication connectors RUS..

Technical information

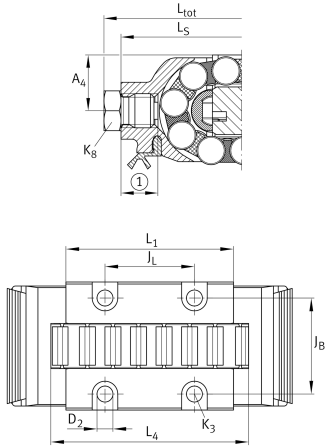


Your current product variant

Suffix code	KS	With end face lubrication connectors
Size code	26102	

Main Dimensions & Performance Data

L _{tot}	114 mm	Total length
B	40 mm	Width
H	26 mm	Height
C	95.000 N	Basic dynamic load rating
C ₀	151.000 N	Basic static load rating
≈m	0,62 kg	Weight



Mounting dimensions

L ₁	68,9 mm	Mounting dimension
J _B	30 mm	Mounting dimension
Tol J _B	± 0,1 mm	Tolerance
J _L	44 mm	
Tol J _L	± 0,1 mm	Tolerance
H ₁	0,2 mm	
L ₄	79 mm	Minimum support length
L _W	14 mm	
H ₄	21 mm	
T ₅	10,2 mm	
G ₁	M6	Fixing screws top (DIN ISO 4762-12.9)
G1 M _A	17 Nm	Tightening torque fixing screws
K ₃	M4	Fixing screws below (DIN ISO 4762-12.9)
K3 M _A max	5 Nm	Tightening torque fixing screws
D ₂	4,9 mm	
L _S	108 mm	
A ₄	13,5 mm	
	M6	Lubrication connection DIN3405-A
	6 mm	

Related products

VUS26102-A	Adjustment gib
UG9741, UGN9741-A, UZ9741, UZN9741-A, UFK4710, UFB6412	Suitable Guide rail