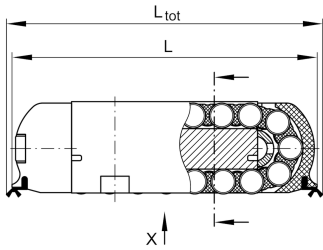
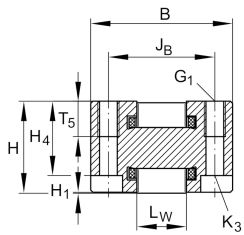


### RUS26126-KS

#### Linear recirculating roller bearing unit

Linear roller bearings with spacer elements, with end face lubrication connectors RUS..

### Technical information

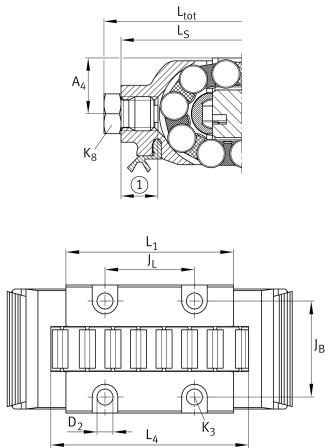


#### Your current product variant

Suffix	KS	With end face lubrication connectors
Size code	26126	

#### Main Dimensions & Performance Data

L <sub>tot</sub>	138,1 mm	Total length
B	40 mm	Width
H	26 mm	Height
C	122.000 N	Basic dynamic load rating
C <sub>0</sub>	209.000 N	Basic static load rating
≈m	0,81 kg	Weight



### Mounting dimensions

L <sub>1</sub>	93 mm	Mounting dimension
J <sub>B</sub>	30 mm	Mounting dimension
Tol J <sub>B</sub>	± 0,1 mm	Tolerance
J <sub>L</sub>	68 mm	
Tol J <sub>L</sub>	± 0,1 mm	Tolerance
H <sub>1</sub>	0,2 mm	
L <sub>4</sub>	103 mm	Minimum support length
L <sub>W</sub>	14 mm	
H <sub>4</sub>	21 mm	
T <sub>5</sub>	10,2 mm	
G <sub>1</sub>	M6	Fixing screws top (DIN ISO 4762-12.9)
G1 M <sub>A</sub>	17 Nm	Tightening torque fixing screws
K <sub>3</sub>	M4	Fixing screws below (DIN ISO 4762-12.9)
K3 M <sub>A</sub> max	5 Nm	Tightening torque fixing screws
D <sub>2</sub>	4,9 mm	
L <sub>S</sub>	132,1 mm	
A <sub>4</sub>	13,2 mm	
	M6	Lubrication connection DIN3405-A
	6 mm	

### Related products

VUS26126-A	Adjustment gib
UG9741, UGN9741-A, UZ9741, UZN9741-A, UFK4710, UFB6412	Suitable Guide rail