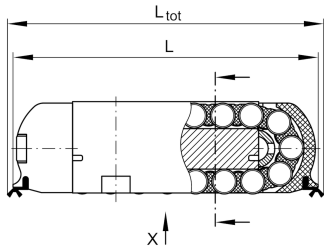
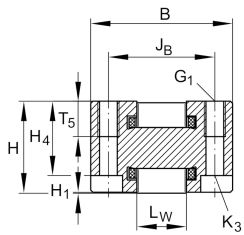


RUS38206-KS

Linear recirculating roller bearing unit

Linear roller bearings with spacer elements, with end face lubrication connectors RUS..

Technical information

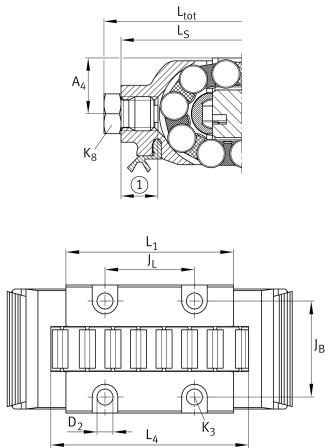


Your current product variant

Suffix code (version)	KS	With end face lubrication connectors
Size code	38206	

Main Dimensions & Performance Data

L _{tot}	216,1 mm	Total length
B	52 mm	Width
H	38 mm	Height
C	305.000 N	Basic dynamic load rating
C ₀	550.000 N	Basic static load rating
≈m	2,61 kg	Weight



Mounting dimensions

L ₁	158,8 mm	Mounting dimension
J _B	41 mm	Mounting dimension
Tol J _B	± 0,1 mm	Tolerance
J _L	102 mm	
Tol J _L	± 0,1 mm	Tolerance
H ₁	0,2 mm	
L ₄	172 mm	Minimum support length
L _W	20 mm	
H ₄	31 mm	
T ₅	14,2 mm	
G ₁	M8	Fixing screws top (DIN ISO 4762-12.9)
G1 M _A	41 Nm	Tightening torque fixing screws
K ₃	M6	Fixing screws below (DIN ISO 4762-12.9)
K3 M _A max	17 Nm	Tightening torque fixing screws
D ₂	6,9 mm	
L _S	210,1 mm	
A ₄	19,3 mm	
	M6	Lubrication connection DIN3405-A
	6 mm	

Related products

VUS38206-A	Adjustment gib
UG12553, UGN12553- A, UZ12553, UZN12553-A, UFG6412, UFB7812	Suitable Guide rail