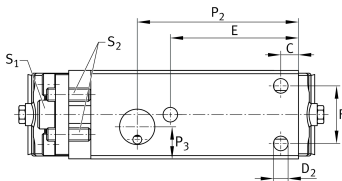
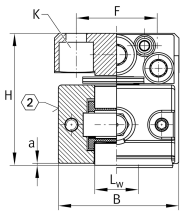


### RUSV30069-KS [↗](#)

#### Linear recirculating roller bearing unit

Linear roller bearings, with spacer elements, with integrated adjusting gib, RUSV...-KS

### Technical information

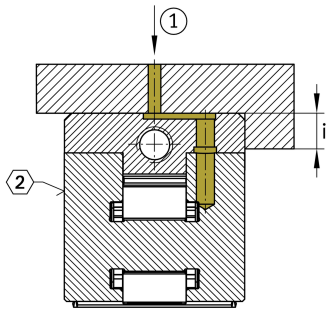


#### Your current product variant

Size code	30069
Suffix code (version)	KS <span style="float: right;">With end face lubrication connectors</span>

#### Main Dimensions & Performance Data

L	82 mm	Length total
B	27 mm	Width
H	30 mm	Height
C	42.000 N	Basic dynamic load capacity
C <sub>0</sub>	66.000 N	Basic static load capacity
≈m	324,36 g	Weight



### Mounting dimensions

L	69 mm	
L <sub>1</sub>	75 mm	
L <sub>3</sub>	43,5 mm	
L <sub>4</sub>	45 mm	
a	0,3 mm	
L <sub>W</sub>	10 mm	
C	5 mm	
E	25 mm	Mounting dimension
F	19 mm	
i	4 mm	Mounting dimension
P <sub>1</sub>	21 mm	
d <sub>1</sub>	12 mm	
P <sub>2</sub>	33 mm	
P <sub>3</sub>	9 mm	
d	2,5 mm	
K	M6	Lubrication connector DIN3405-A
S <sub>1</sub>	3 mm	Hexagon socket adjusting screw
S <sub>2</sub>	2 mm	Hexagon socket counter forcing screw
K	M4	Size thread k DIN
K <sub>MA</sub>	5 Nm	Tightening torque fixing screws
D <sub>2</sub>	4,5 mm	
A <sub>max</sub>	7 mm	Screw stroke A
Delta h <sub>max</sub>	0,37 mm	Adjustment maximum
	0,035 mm	Adjustment screw revolution



View product details on medias

17.05.2026, 11:19:13 UTC

**SCHAEFFLER**

### Related products

---

UG6628, UGN6628,  
UZ6628, UZN6628,  
UFB4710

Suitable Guide Rails