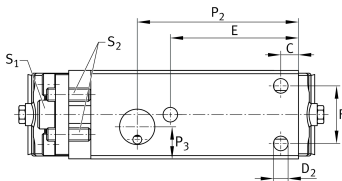
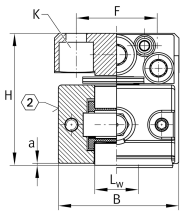


RUSV30105-KS [↗](#)

Linear recirculating roller bearing unit

Linear roller bearings, with spacer elements, with integrated adjusting gib, RUSV...-KS

Technical information

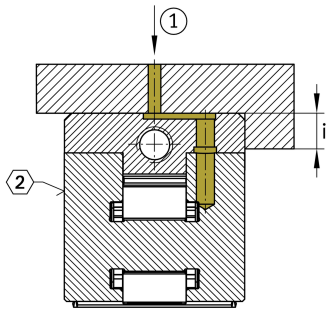


Your current product variant

Size code	30105	
Suffix code (version)	KS	With end face lubrication connectors

Main Dimensions & Performance Data

L	117 mm	Length total
B	27 mm	Width
H	30 mm	Height
C	68.000 N	Basic dynamic load capacity
C ₀	123.000 N	Basic static load capacity
≈m	0,53 kg	Weight



Mounting dimensions

L	105 mm	
L ₁	111 mm	
L ₃	78,5 mm	
L ₄	79 mm	
a	0,3 mm	
L _W	10 mm	
C	5 mm	
E	45 mm	Mounting dimension
F	19 mm	
i	4 mm	Mounting dimension
P ₁	21 mm	
d ₁	12 mm	
P ₂	53 mm	
P ₃	9 mm	
d	2,5 mm	
K	M6	Lubrication connector DIN3405-A
S ₁	3 mm	Hexagon socket adjusting screw
S ₂	2 mm	Hexagon socket counter forcing screw
K	M4	Size thread k DIN
K _{MA}	5 Nm	Tightening torque fixing screws
D ₂	4,5 mm	
A _{max}	7 mm	Screw stroke A
Delta h _{max}	0,37 mm	Adjustment maximum
	0,023 mm	Adjustment screw revolution



View product details on medias

18.05.2026, 11:18:59 UTC

SCHAEFFLER

Related products

UG6628, UGN6628,
UZ6628, UZN6628,
UFB4710

Suitable Guide Rails