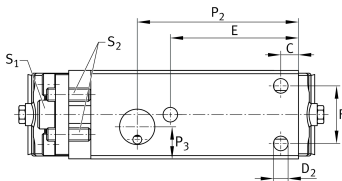
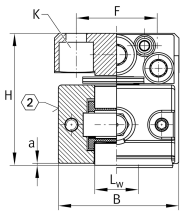


RUSV42086-KS [↗](#)

Linear recirculating roller bearing unit

Linear roller bearings, with spacer elements, with integrated adjusting gib, RUSV...-KS

Technical information

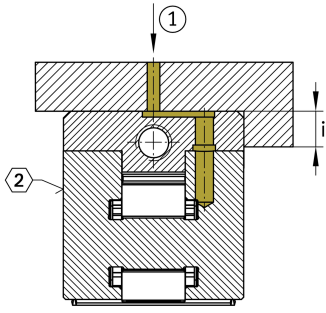


Your current product variant

Size	42086	
Suffix	KS	With end face lubrication connectors

Main Dimensions & Performance Data

L	98 mm	Length total
B	40 mm	Width
H	42 mm	Height
C	76.000 N	Basic dynamic load capacity
C ₀	113.000 N	Basic static load capacity
≈m	0,84 kg	Weight

**Mounting dimensions**

L	86 mm	
L ₁	92 mm	
L ₃	52,4 mm	
L ₄	54 mm	
a	0,3 mm	
L _W	14 mm	
C	8 mm	
E	23 mm	Mounting dimension
F	26 mm	
i	6 mm	Mounting dimension
P ₁	29,5 mm	
d ₁	16 mm	
P ₂	38 mm	
P ₃	14,5 mm	
d	3 mm	
K	M6	Lubrication connector DIN3405-A
S ₁	6 mm	Hexagon socket adjusting screw
S ₂	3 mm	Hexagon socket counter forcing screw
K	M6	Size thread k DIN
K _{MA}	17 Nm	Tightening torque fixing screws
D ₂	6,6 mm	
A _{max}	10 mm	Screw stroke A
Delta h _{max}	0,52 mm	Adjustment maximum
	0,05 mm	Adjustment screw revolution



View product details on medias

18.04.2026, 13:45:37 UTC

SCHAEFFLER

Related products

UG9741, UGN9741-
A, UZ9741,
UZN9741-A,
U FK4710, UFB6412

Suitable Guide Rails