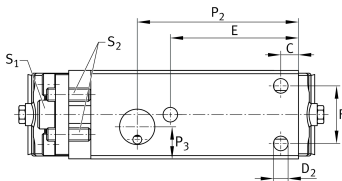
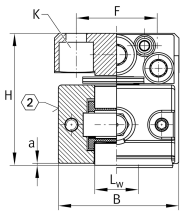


### RUSV42126-KS [↗](#)

#### Linear recirculating roller bearing unit

Linear roller bearings, with spacer elements, with integrated adjusting gib, RUSV...-KS

### Technical information

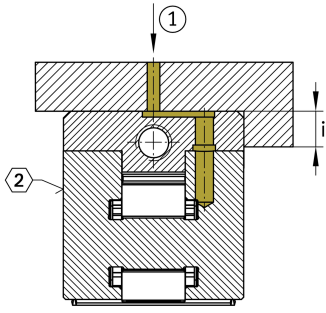


#### Your current product variant

Size Code	42126
Suffix	KS <span style="float: right;">With end face lubrication connectors</span>

#### Main Dimensions & Performance Data

L	138 mm	Length total
B	40 mm	Width
H	42 mm	Height
C	122.000 N	Basic dynamic load capacity
C <sub>0</sub>	209.000 N	Basic static load capacity
≈m	1,33 kg	Weight



### Mounting dimensions

L	126 mm	
L <sub>1</sub>	132 mm	
L <sub>3</sub>	92,4 mm	
L <sub>4</sub>	94 mm	
a	0,3 mm	
L <sub>W</sub>	14 mm	
C	8 mm	
E	58 mm	Mounting dimension
F	26 mm	
i	6 mm	Mounting dimension
P <sub>1</sub>	29,5 mm	
d <sub>1</sub>	16 mm	
P <sub>2</sub>	73 mm	
P <sub>3</sub>	14,5 mm	
d	3 mm	
K	M6	Lubrication connector DIN3405-A
S <sub>1</sub>	6 mm	Hexagon socket adjusting screw
S <sub>2</sub>	3 mm	Hexagon socket counter forcing screw
K	M6	Size thread k DIN
K <sub>MA</sub>	17 Nm	Tightening torque fixing screws
D <sub>2</sub>	6,6 mm	
A <sub>max</sub>	10 mm	Screw stroke A
Delta h <sub>max</sub>	0,52 mm	Adjustment maximum
	0,05 mm	Adjustment screw revolution



View product details on medias

01.07.2026, 13:28:48 UTC

**SCHAEFFLER**

### Related products

---

UG9741, UGN9741-  
A, UZ9741,  
UZN9741-A,  
U FK4710, UFB6412

Suitable Guide Rails