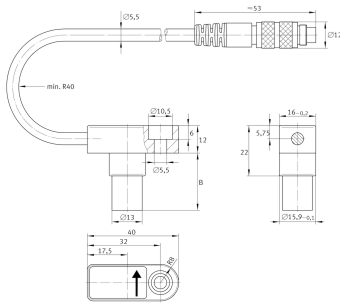


**MEKOKAB150/180/325-WH-AL-B** [↗](#)

cable

cable

Technical information

**Your current product variant**

Cable length 2 m

Mounting dimensions

| | | |
|----|--------|------------------------------|
| | 5,5 mm | Bore diameter sensor MEKOKAB |
| ≈m | 50 g | Weight |

Main dimensions

| | | |
|---|---------|------------------------------------|
| | 34,5 mm | Length MEKOKAB (total) |
| B | 22,5 mm | Length MEKOKAB cylindrical housing |
| | 13 mm | Diameter sensor housing MEKOKAB |
| | 40 mm | Flange length sensor MEKOKAB |
| | 16 mm | Flange width sensor MEKOKAB |

Temperature range

| | | |
|--|-------|----------------------------|
| | IP65 | Ingress Protection |
| | 70 °C | Operating temperature max. |
| | 0 °C | Operating temperature min. |

Additional information

| | | |
|--|-------------------|-------------------------|
| | white | Color |
| | ISO4762-M5x12-8.8 | Cap head screws MEKOKAB |
| | 6 Nm | Bolting Torque max. |
| | 5,4 Nm | Bolting torque min. |