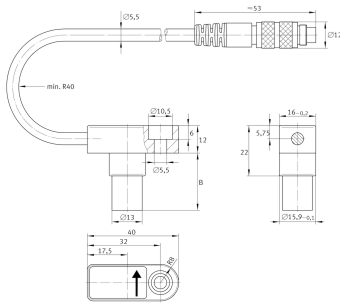


**MEKOKAB260/395/460-YE-AL-B-KABELL:260CM** [↗](#)

cable

cable

Technical information

**Your current product variant**

Cable length 2,6 m

Mounting dimensions

	5,5 mm	Bore diameter sensor MEKOKAB
≈m	50 g	Weight

Main dimensions

	37 mm	Length MEKOKAB (total)
B	25 mm	Length MEKOKAB cylindrical housing
	13 mm	Diameter sensor housing MEKOKAB
	40 mm	Flange length sensor MEKOKAB
	16 mm	Flange width sensor MEKOKAB

Temperature range

	IP65	Ingress Protection
	70 °C	Operating temperature max.
	0 °C	Operating temperature min.

Additional information

	yellow	Color
	ISO4762-M5x12-8.8	Cap head screws MEKOKAB
	6 Nm	Bolting Torque max.
	5,4 Nm	Bolting torque min.