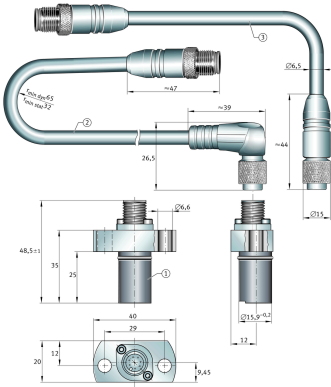


SRMC2-S

Measuring instrument rpm

Connecting cable, for measuring heads and electronic evaluation system

Technical information



Your current product variant

Cable length	2 m	
Plug design	S	Straight plug