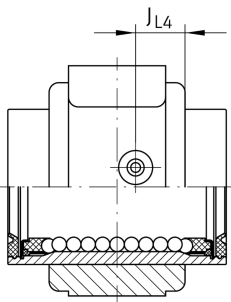
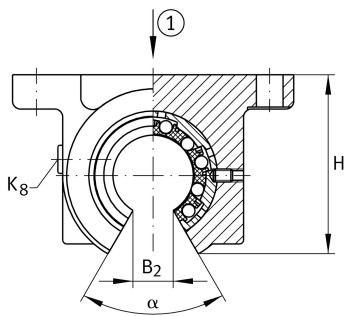


### KGBO20-PP-AS

#### Linear Ball Bearing and Housing Unit

Linear ball bearing and housing unit; open design, sealed, greased, with relubrication facility; corrosion-resistant design possible

### Technical information



#### Your current product variant

Seal	PP
Relubrication facility	AS

#### Technical data

	5	Ball rows
≈m	0,25 kg	Weight

#### Main Dimensions & Performance Data

H	45 mm	Center height
L	45 mm	Length
Tol L	h12	Tolerance
B	70 mm	Width
C	1.600 N	Load capacity dyn.
C <sub>0</sub>	1.280 N	Load capacity stat. C <sub>0</sub>



### Mounting dimensions

J <sub>B</sub>	58 mm	
Tol J <sub>B</sub>	+ 0,15 mm	Upper tolerance
Tol J <sub>B</sub>	- 0,15 mm	Lower tolerance
B <sub>1</sub>	45 mm	
A <sub>5</sub>	35 mm	
Tol A <sub>5</sub>	+ 0,02 mm	Upper tolerance
Tol A <sub>5</sub>	- 0,02 mm	Lower tolerance
B <sub>2</sub>	10 mm	
L <sub>4</sub>	20 mm	Distance
L <sub>5</sub>	28 mm	Distance
J L <sub>4</sub>	9,5 mm	Distance
H <sub>2</sub>	25 mm	Height shaft
Tol H <sub>2</sub>	+ 0,015 mm	Upper tolerance
Tol H <sub>2</sub>	- 0,015 mm	Lower tolerance
A <sub>3</sub>	21 mm	
H <sub>6</sub>	8 mm	
N <sub>1</sub>	6,6 mm	
N <sub>3</sub>	11 mm	
K <sub>5</sub>	M6	
K <sub>8</sub>	NIPA1	Lubrication nipple
α	60 °	Angle