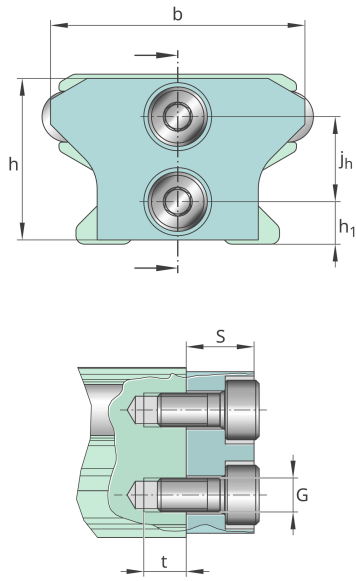


Technical information



Your current product variant

Size Code	32
-----------	----

Main Dimensions & Performance Data

b	30 mm	
G	M4	
h	19 mm	
h ₁	5 mm	
j _h	10 mm	
s	8 mm	
t	7 mm	
≈m	28 g	Weight

Related products

LFS	LFS32	Guide rail
-----	-------	------------