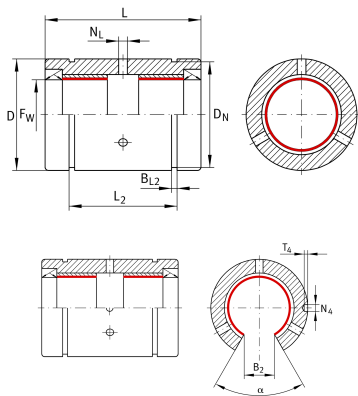
**PABO12-PP-AS** [↗](#)

Linear plain bearing

Linear plain bearing; open design, sealed on all sides, with relubrication facility

Technical information

**Your current product variant**

Size code	12
Seal	PP
Relubrication facility	AS

Main Dimensions & Performance Data

F _w	12 mm	Diameter of ball complement
D	22 mm	Outer diameter
L	32 mm	Length
Tol L	h12	Tolerance
C ₀	60.000 N	Load capacity stat. C0
≈m	21 g	Weight



Mounting dimensions

L ₂	22,6 mm	Mounting Dimension
Tol L ₂	H13	Tolerance
B _{L2}	1,3 mm	
Tol B _{L2}	H13	Tolerance
D _N	21 mm	
B ₂	7,6 mm	
T ₄	1,2 mm	
N ₄	2,2 mm	
N _L	2,5 mm	
Tol N _L	H13	Tolerance
a	78 °	Angle