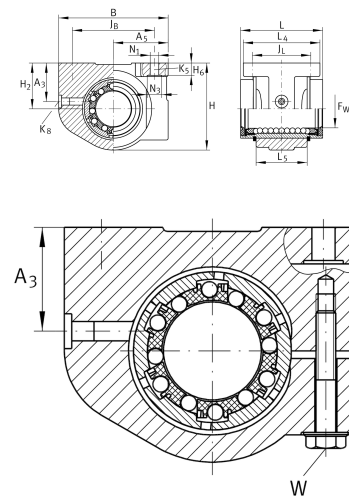


### KGBAS12-PP-AS

#### Linear Ball Bearing and Housing Unit

Linear ball bearing and housing unit; sealed, greased, with relubrication facility; corrosion-resistant design possible

### Technical information



#### Your current product variant

Size code	12
Seal	PP
Relubrication facility	AS

#### Technical data

	5	Ball rows
≈m	80 g	Weight

#### Main Dimensions & Performance Data

F <sub>w</sub>	12 mm	Diameter of ball complement
H	34 mm	Height
L	32 mm	Length
Tol L	h12	Tolerance
B	42 mm	Width
C	540 N	Load capacity dyn. C
C <sub>0</sub>	385 N	Load capacity stat. C <sub>0</sub>



### Mounting dimensions

J <sub>B</sub>	32 mm	
Tol J <sub>B</sub>	+ 0,15 mm	Upper tolerance
Tol J <sub>B</sub>	- 0,15 mm	Lower tolerance
A <sub>5</sub>	21 mm	
Tol A <sub>5</sub>	+ 0,01 mm	Upper tolerance
Tol A <sub>5</sub>	- 0,01 mm	Lower tolerance
L <sub>4</sub>	32 mm	
L <sub>5</sub>	20 mm	
J <sub>L</sub>	23 mm	
Tol J <sub>L</sub>	+ 0,15 mm	Upper tolerance
Tol J <sub>L</sub>	- 0,15 mm	Lower tolerance
H <sub>2</sub>	18 mm	Center Height
Tol H <sub>2</sub>	+ 0,01 mm	Upper tolerance
Tol H <sub>2</sub>	- 0,01 mm	Lower tolerance
A <sub>3</sub>	15 mm	
H <sub>6</sub>	4,8 mm	
Tol H <sub>6</sub>	- 0,5 mm	Tolerance
N <sub>1</sub>	4,7 mm	
N <sub>3</sub>	8 mm	
K <sub>5</sub>	M4	
K <sub>8</sub>	NIPA1	Lubrication nipple
W	7 mm	Width across flats