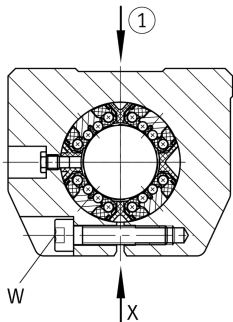
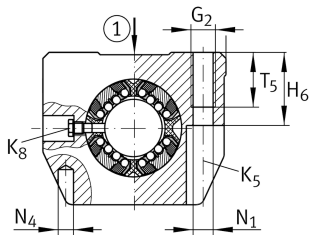
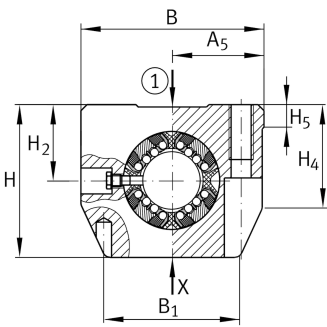
**KGSNS12-PP-AS**

Linear Ball Bearing and Housing Unit

Linear ball bearing and housing unit; with self-aligning linear ball bearing, slotted design, sealed, greased, with relubrication facility

Technical information



Your current product variant

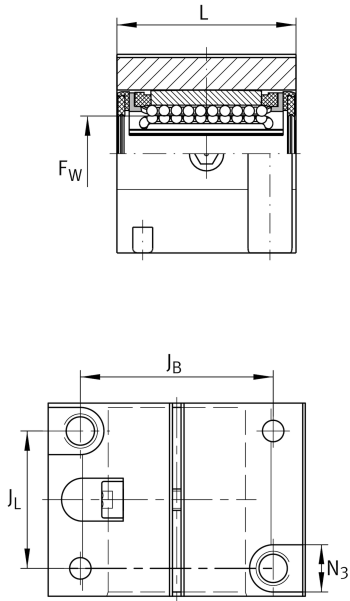
Size code	12
Seal	PP
Relubrication facility	AS

Technical data

	8	Ball rows
≈m	0,1 kg	Weight

Main Dimensions & Performance Data

F _w	12 mm	Diameter of ball complement
H	35 mm	Height
L	32 mm	Length
B	43 mm	Width
C _{max}	900 N	Load capacity dyn.
C _{0 max}	1.100 N	Load capacity stat.



Mounting dimensions

J _B	32 mm	
B ₁	34 mm	
A ₅	21,5 mm	
Tol A ₅	+ 0,01 mm	Upper tolerance
Tol A ₅	- 0,01 mm	Lower tolerance
J _L	23 mm	Distance
Tol J _L	+ 0,15 mm	Upper tolerance
H ₂	18 mm	Center height
H ₄	26,6 mm	
H ₅	5,4 mm	
T ₅	11 mm	Mounting Dimension
H ₆	16,5 mm	Mounting Dimension
G ₂	M5	
N ₁	4,3 mm	Mounting Dimension
N ₄	4 mm	
N ₃	8 mm	Mounting Dimension
K ₅	M4	
K ₈	NIP4MZ	Lubrication nipple
W	2,5 mm	Width across flats