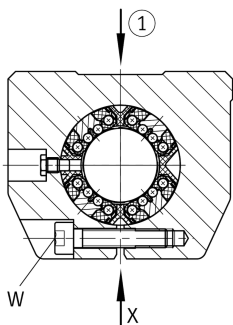
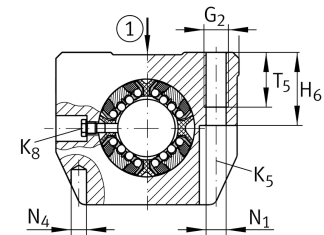
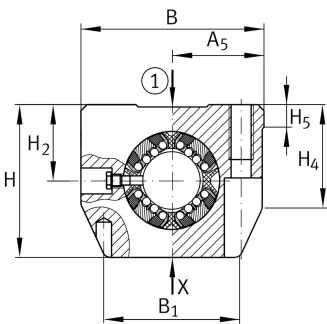
**KGSNS25-PP-AS**

Linear Ball Bearing and Housing Unit

Linear ball bearing and housing unit; with self-aligning linear ball bearing, slotted design, sealed, greased, with relubrication facility

Technical information



Your current product variant

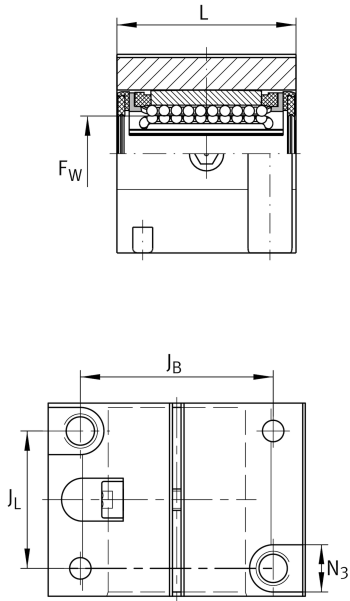
Size code	25
Seal	PP
Relubrication facility	AS

Technical data

	8	Ball rows
≈m	0,63 kg	Weight

Main Dimensions & Performance Data

F _w	25 mm	Diameter of ball complement
H	60 mm	Height
L	58 mm	Length
B	78 mm	Width
C _{max}	3.950 N	Load capacity dyn.
C _{0 max}	4.300 N	Load capacity stat.



Mounting dimensions

J _B	60 mm	
B ₁	59,4 mm	
A ₅	39 mm	
Tol A ₅	+ 0,01 mm	Upper tolerance
Tol A ₅	- 0,01 mm	Lower tolerance
J _L	40 mm	Distance
Tol J _L	+ 0,15 mm	Upper tolerance
H ₂	30 mm	Center height
H ₄	41,5 mm	
H ₅	8,3 mm	
T ₅	22 mm	Mounting Dimension
H ₆	29 mm	Mounting Dimension
G ₂	M10	
N ₁	8,4 mm	Mounting Dimension
N ₄	6 mm	
N ₃	15 mm	Mounting Dimension
K ₅	M8	
K ₈	NIP5MZ	Lubrication nipple
W	5 mm	Width across flats