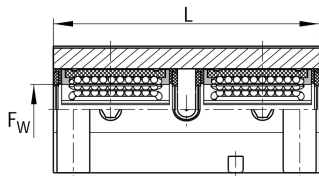
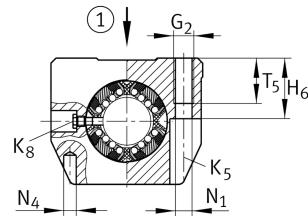
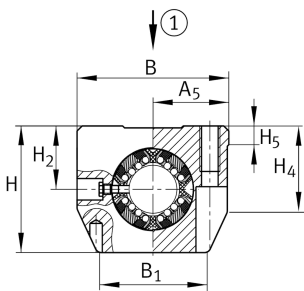


### KTSS12-PP-AS [↗](#)

#### Linear Ball Bearing and Housing Unit

Linear ball bearing and housing unit; adjustable clearance, with self-aligning linear ball bearing, contact seals on both sides

### Technical information



#### Your current product variant

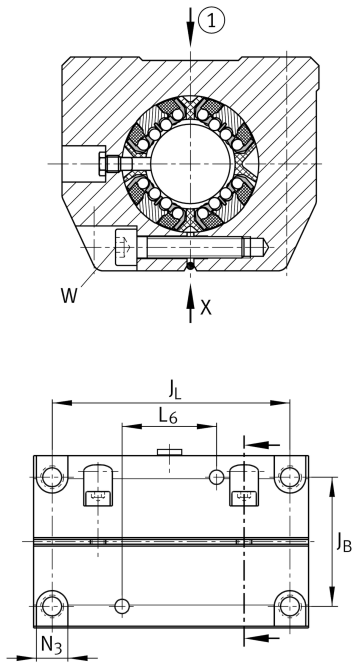
Size Code	12
Seal	PP
Relubrication facility	AS

#### Technical data

	8	Ball rows
≈m	0,21 kg	Weight

#### Main Dimensions & Performance Data

F <sub>w</sub>	12 mm	Diameter of ball complement
H	35 mm	Height
L	70 mm	Length
B	43 mm	Width
C <sub>max</sub>	1.460 N	Load capacity dyn.
C <sub>0 max</sub>	2.100 N	Load capacity stat.



### Mounting dimensions

J <sub>B</sub>	32 mm	
Tol J <sub>B</sub>	+ 0,15 mm	Upper tolerance
Tol J <sub>B</sub>	- 0,15 mm	Lower tolerance
B <sub>1</sub>	34 mm	
A <sub>5</sub>	21,5 mm	
Tol A <sub>5</sub>	+ 0,01 mm	Upper tolerance
Tol A <sub>5</sub>	- 0,01 mm	Lower tolerance
J <sub>L</sub>	56 mm	Distance
Tol J <sub>L</sub>	+ 0,15 mm	Upper tolerance
Tol J <sub>L</sub>	- 0,15 mm	Lower tolerance
L <sub>6</sub>	24 mm	Distance
H <sub>2</sub>	18 mm	Center height
Tol H <sub>2</sub>	+ 0,008 mm	Upper tolerance
Tol H <sub>2</sub>	- 0,016 mm	Lower tolerance
H <sub>4</sub>	26,6 mm	
H <sub>5</sub>	5,4 mm	
T <sub>5</sub>	11 mm	
H <sub>6</sub>	16,5 mm	
G <sub>2</sub>	M5	
N <sub>1</sub>	4,3 mm	
N <sub>4</sub>	4 mm	
N <sub>3</sub>	8 mm	
K <sub>5</sub>	M4	
K <sub>8</sub>	NIP4MZ	Lubrication nipple
W	2,5 mm	Width across flats